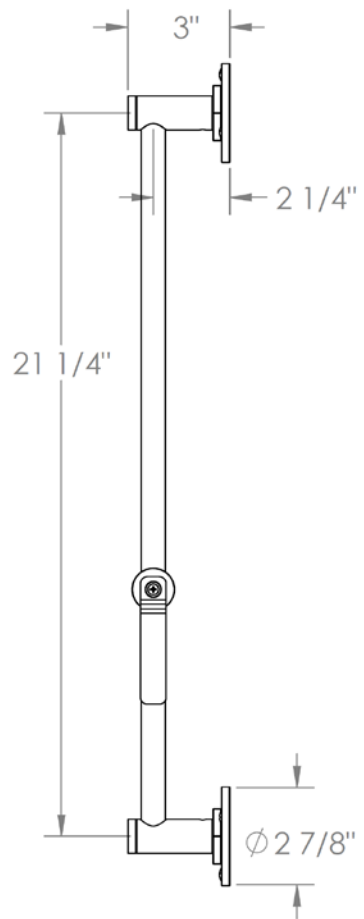
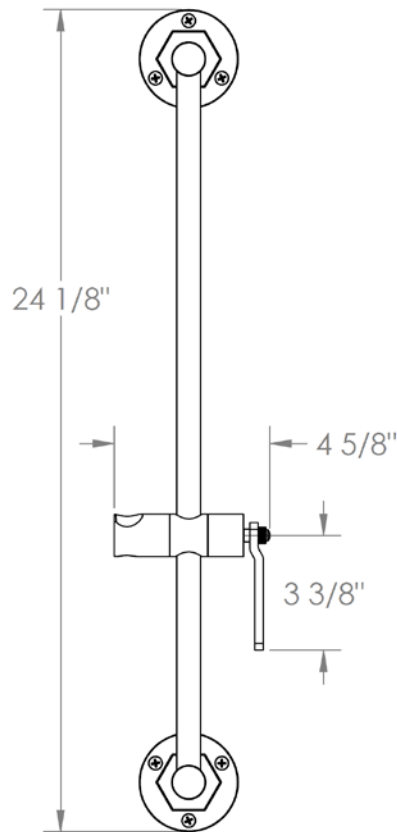


**38-6524**

Wall Mounted Positioning Bar for Elan Vital Collection



**WATERMARK** DESIGNS 7/2/2018

350 Dewitt Ave Brooklyn NY 11207 USA T 718 257 2800 F 718 257 2144 info@watermark-designs.com