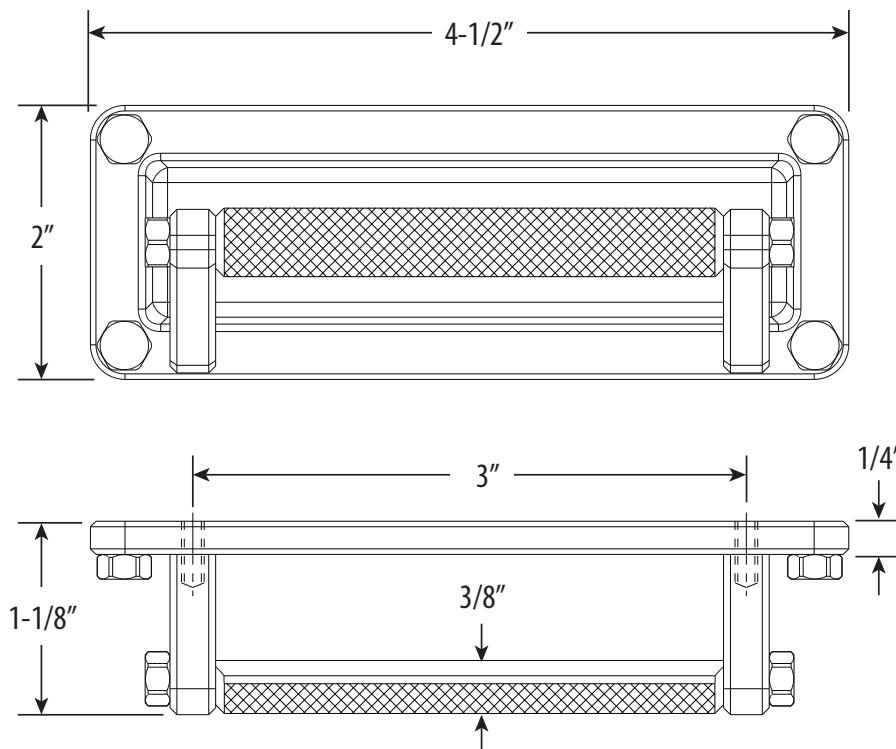


## INDUSTRIAL 3" BIN PULL

# HIP-0300

• FITS MATERIALS FROM 1/4" TO 1-1/2" THICK



 **ECO BRASS**  
HIGH PERFORMANCE LEAD FREE BRASS

DIMENSIONS MAY VARY AND ARE SUBJECT TO CHANGE. NO RESPONSIBILITY IS ASSUMED FOR USE OF SUPERCEDED OR VOIDED DATA