



-  CHROME
01038385
-  BRUSHED CHROME
01038386
-  MATTE BLACK
01038387
-  ROSE GOLD
01038388
-  BRUSHED GOLD
01038389
-  NICKEL
01038390
-  BRUSHED NICKEL
01038391

HYDROTAP® ARC FOR HOME

CHILLED | SPARKLING

Elevate your drinking water and save space in your fridge with a HydroTap Arc CS and get on demand sparkling and chilled still water at the touch of a button. Unbottle the future. Choose sustainable hydration with HydroTap by Zip Water - the world's most advanced drinking water system.

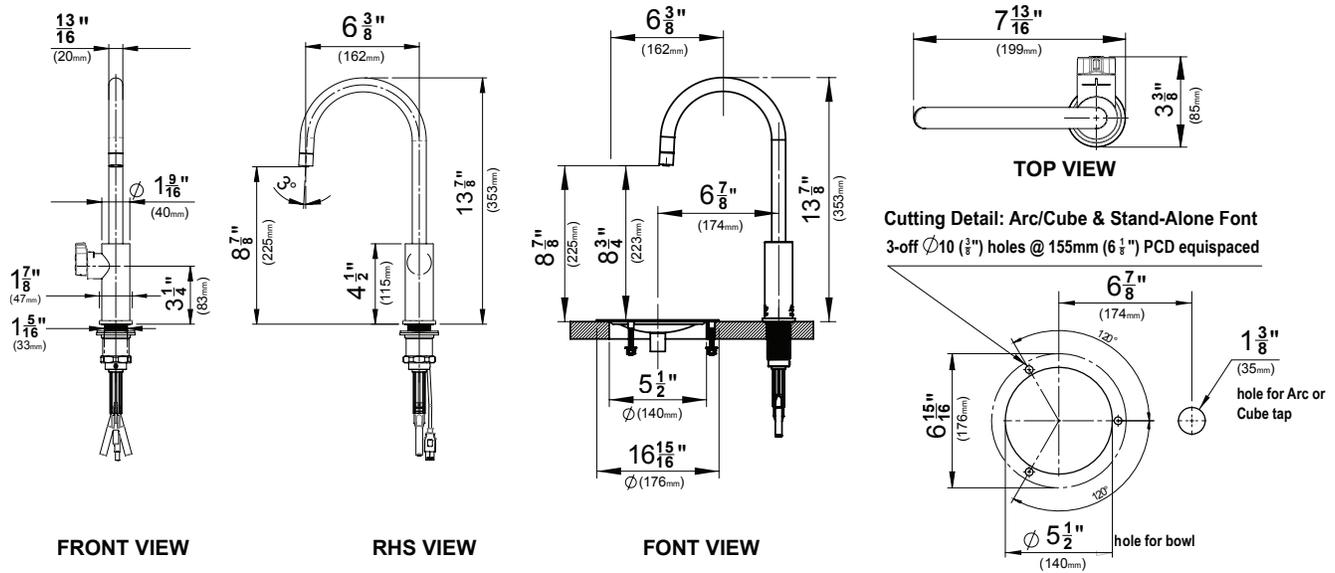
HYDROTAP® ARC FOR HOME

CHILLED | SPARKLING



TAP SPECS

Style	HydroTap Arc-includes child safety lock
Hole Size	1 3/8"
Available Finishes	Chrome, Brushed Chrome, Matte Black, Rose Gold, Brushed Gold, Nickel & Brushed Nickel
Installation	Over Sink or On Drip Tray (Optional Font - see accessories)
Flow rate	Max 1.8gpm
Sparkling Water Flow Rate	0.36gpm



ORDER CODES FOR PRODUCTS

01038385	CS75 - Arc (Chrome)
01038386	CS75 - Arc (Brushed Chrome)
01038387	CS75 - Arc (Matte Black)
01038388	CS75 - Arc (Rose Gold)
01038389	CS75 - Arc (Brushed Gold)
01038390	CS75 - Arc (Nickel)
01038391	CS75 - Arc (Brushed Nickel)

ORDER CODES FOR REPLACEMENT FILTERS

01034276	Filter, Zip, 0.2 Micron, 1 Size - 93701
01034278	Filter, Zip, 3 Micron, 1.5 Size - 93703

ORDER CODES FOR OPTIONAL FONTS

01034269	Drip Tray, Design Range Font (Chrome)
01034270	Drip Tray, Design Range Font (Brushed Chrome)
01034271	Drip Tray, Design Range Font (Matte Black)
01034272	Drip Tray, Design Range Font (Rose Gold)
01034273	Drip Tray, Design Range Font (Brushed Gold)
01034274	Drip Tray, Design Range Font (Nickel)
01034275	Drip Tray, Design Range Font (Brushed Nickel)

ORDER CODES FOR REPLACEMENT CO2

01034347	Zip 2 x 1.5lb CO ₂ refillable/recyclable cylinders
01034349	Zip CO ₂ Regulator

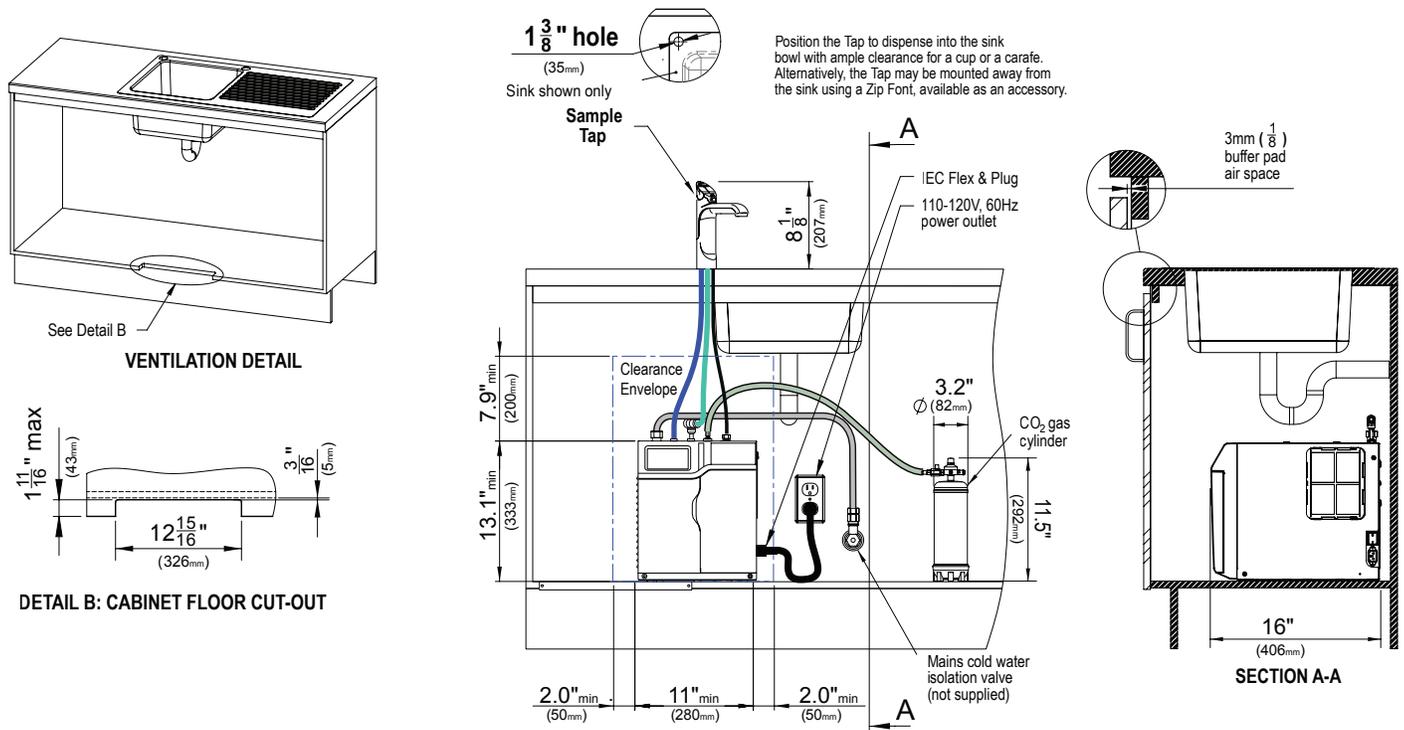
HYDROTAP® ARC FOR HOME

CHILLED | SPARKLING



COMMAND CENTER SPECS

Water Pressure	Min 30psi – Max 75psi with a minimum flow rate of 1 gpm
Water Connection	½" BSP - isolation valve is required within 3' of the installation
Integral Water Values	HydroTaps are fitted with a Dual Check Valve and a 50psi Pressure Limiting Valve
Water Supply Requirements	Potable drinking water supply
Total Dissolved Solids (TDS)	TDS Min 50ppm – Max 120ppm
Integral Water Filter	0.2 micron, 1 size - Replace every 1,500 gallons or 12 months
Power Rating	110-120V, 60 Hz, 0.235kW
Power Supply Requirements	110-120V, 60Hz 15 amp power supply with a NEMA 5-15 outlet
Dimensions (WxDxH)	11" x 16" x 13.1"
Minimum Air Gap	Clearances are required - 2" Left side, 2" Right side, 8" Above
Dry Weight	85lbs
Product Approvals	WQA - NSF/ANSI 372, 42 & 53, cUL, CEC
Warranty	2 years (1 year Limited Warranty plus additional 1 year Warranty is available on product registration)
CO ₂ Cylinder	2 x 1.5lb Beverage Grade Carbon Dioxide Cylinder
CO ₂ Capacity	Approximately 950 8oz cups
CO ₂ Operating Pressure	Min 39psi - Max 43psi



Installation and connection of your HydroTap must be carried out by a qualified person, observing all local, state, & federal regulations. You will require suitable 110 -120V 60Hz 15 amp power supply with a NEMA 5-15 electrical outlet within 3' of the product. The HydroTap is an air-cooled system, so discrete cabinetry cut-outs are required for ventilation. Installation on most counter tops is straightforward, however some stone counter tops may require a specialized cutting service. If using a drip tray (font) accessory, suitable drainage to a trapped waste is required within 3' of the installation. If you live in an area with hard water (more than 120ppm), we recommend installation of a scale filtration kit. Sufficient space and clearance to install the HydroTap as detailed in the product installation guidelines is required. Installation by Zip Professional Service can be arranged with a phone call to 1-833-233-2358 or through www.us.zipwater.com