

OPULENCE "His" 39 In ABOVE COUNTER BASIN

Cat. No
4-362, 363



Faucet not included

Top: 39-1/2" X 19-3/8"
Base: 33-3/4" X 16-1/4"

H: 4-3/4"

Water depth 2-5/8" to overflow

Interior Dimensions:

Basin Interior:	22-3/4" x 12-1/2"
Basin Depth:	4-1/2"
Back of basin to center of faucet:	2-3/8"
Back of basin to center of drain:	9"
Mount holes cc:	11"
Faucet and spout holes:	1-1/4"

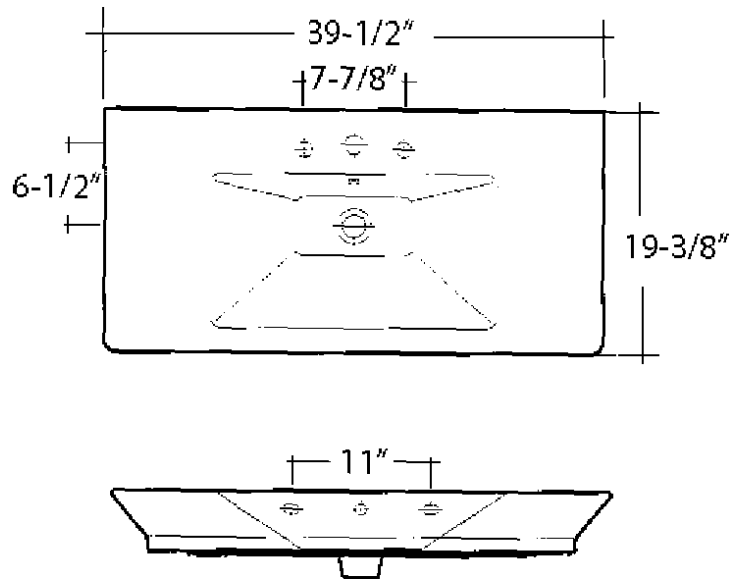
Features:

- ▶ Fine fire clay for durability
- ▶ Transitional style
- ▶ Pre-drilled overflow hole
- ▶ Rectangular basin
- ▶ Back of basin is unfinished
- ▶ Available pre-drilled for 1-hole faucet (**362**) or 8" widespread (**363**)

Colors:

WH White

Compliance Certification
Meets or exceeds the following specifications: ASME A112.19.2 2018 and CSA B45.1-18 for ceramic plumbing fixtures.



Dimensions of fixture are nominal and may vary within the range of tolerances established by ASME Standard A112.19.2.2018 Dimensions and specifications subject to change without notice.