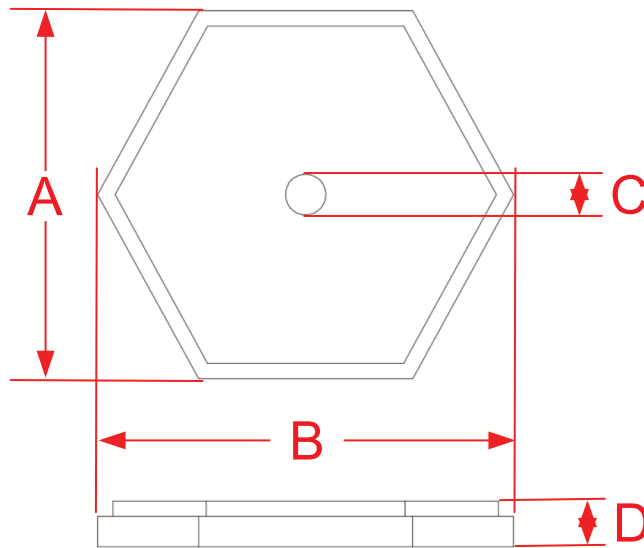


# 9626, 9627 and 9628 Cabinet Backplate

Finishes for Life  
TARNISH-FREE GUARANTEED



Part #	A Diameter Flats	B Diameter Corners	C Center Diameter	D Projection
9626	1.2500"	1.4430"	0.1730"	0.1875"
9626	1.5000"	1.7320"	0.1730"	0.1875"
9626	1.7500"	2.0210"	0.1730"	0.1875"
Custom Sizing Available				



Manufacturing Fine Architectural Hardware  
in the USA Since 1927



Copyright 2015  
Colonial Bronze Company  
All rights reserved  
[www.colonialbronze.com](http://www.colonialbronze.com) -  
860.489.9233