

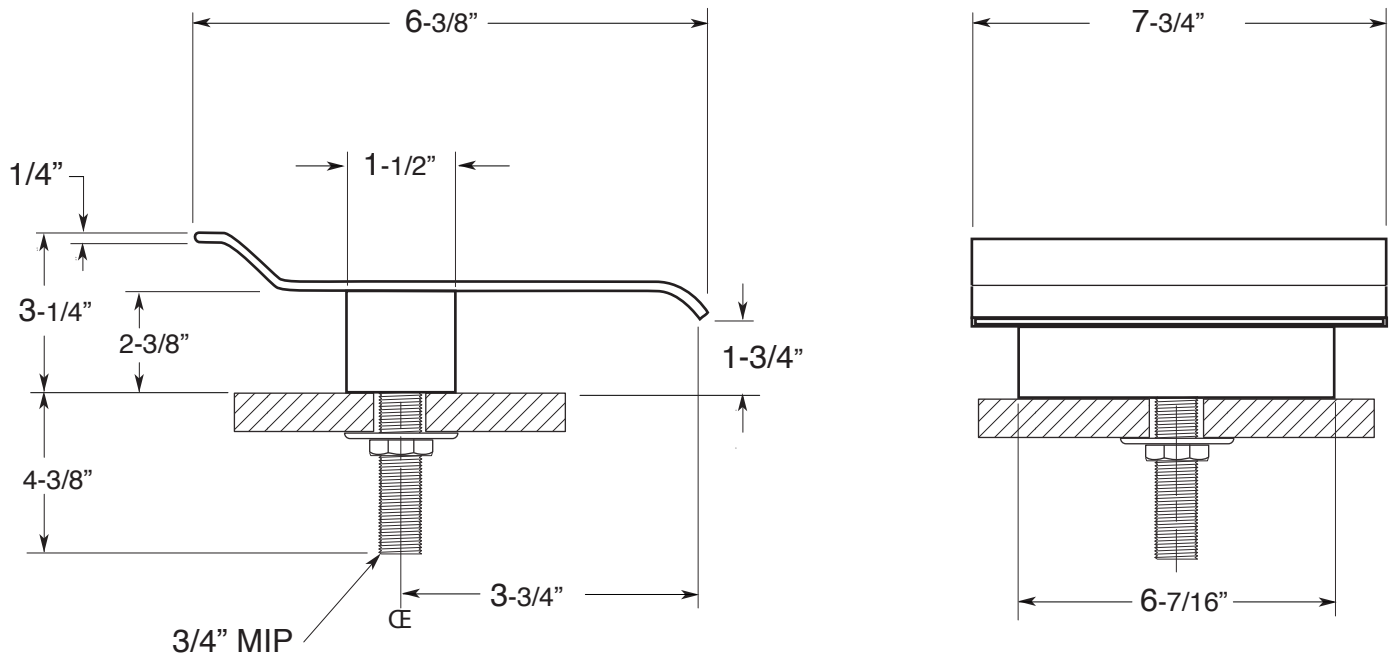
FEATURES:

- All brass construction
- Available in all Sigma finishes
- Maximum deck thickness: 3-1/2"
- Certified to meet or exceed the following codes and standards:
ASME A112.18.1/CSAB 125.1-2011

Specialty Fittings

**Sheet Waterfall
Roman Tub Spout**

18.15.014



NOTE: Spouts install through 1-1/4" Diameter Holes.

Note: Measurements are subject to change or cancellation. No responsibility is assumed for use of superseded or voided pages.