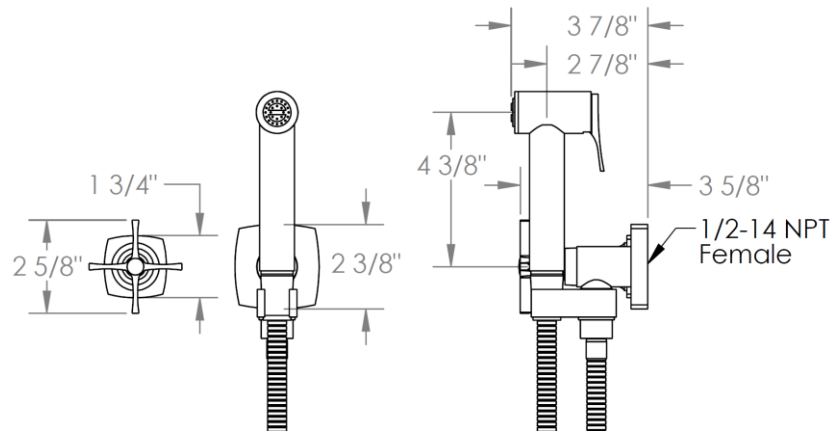


115-4.4-

Wall Mounted Bidet Spray Set with Progressive Mixer and 49" Hose

Requires SS-SHV1.2 concealed rough

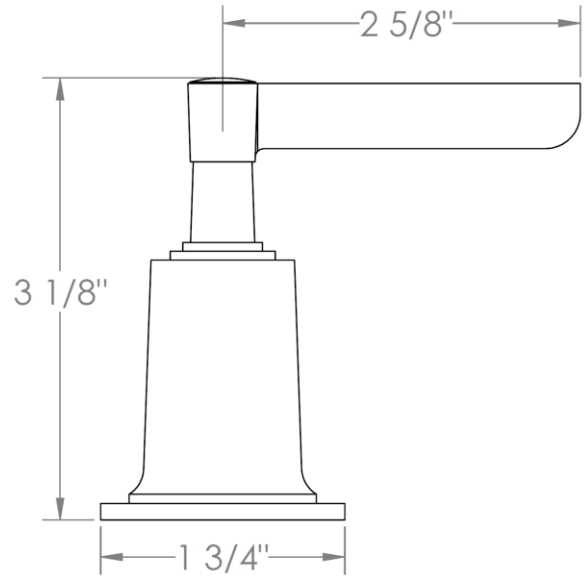
Note: Some building codes require backflow preventers installed in the supply lines



Meets the applicable requirements of ASME A112.18.1-2005/CSA B125.1-05, entitled "Plumbing Supply Fittings"

HANDLE TRIM OPTIONS

MZ4 - STANDARD



MZ5 - WHITNEY

