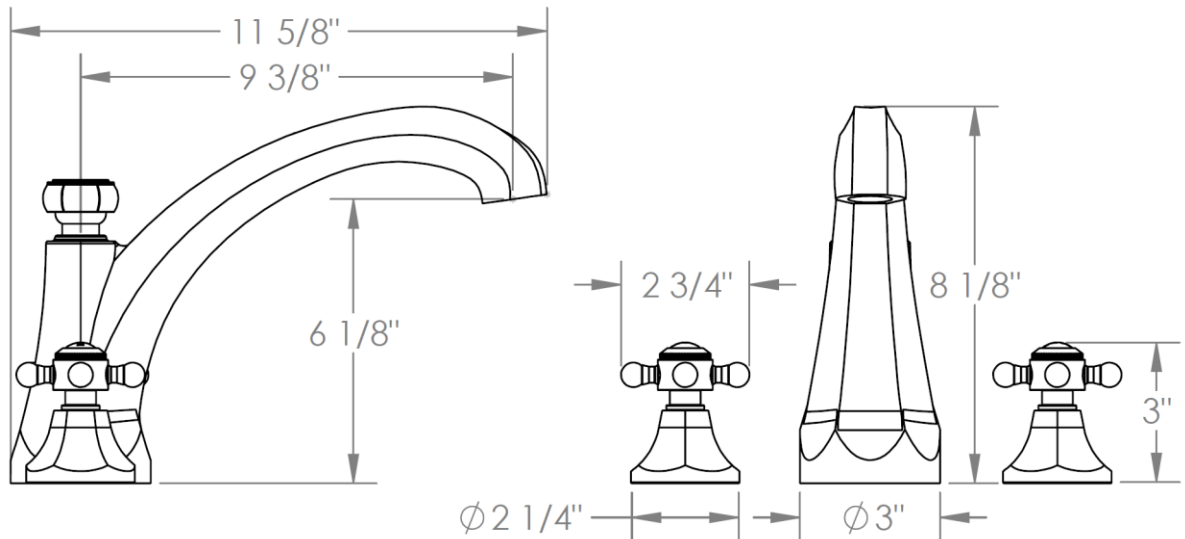


**312-8.205-X**

**Deck Mounted 3 Hole Extended Bath Set**

Note: Some building codes may require a remote pressure balance valve, such as the SS-PB50.



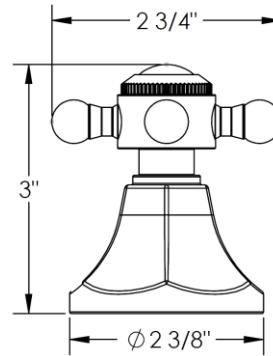
Meets the applicable requirements of ASME A112.18.1-2005/CSA B125.1-05, entitled "Plumbing Supply Fittings"

**WATERMARK DESIGNS 8/13/2018**

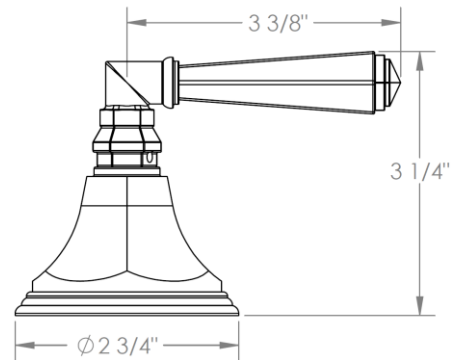
350 Dewitt Ave Brooklyn NY 11207 USA T 718 257 2800 F 718 257 2144 info@watermark-designs.com

## Gramercy Handle Trim Options

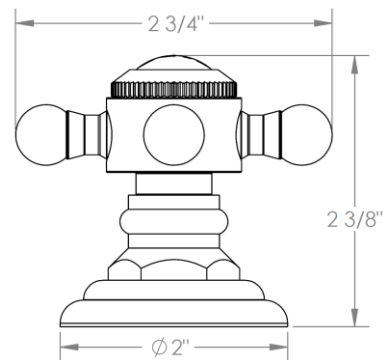
### X – OXFORD



### Y – LYONS



### V – WALES



### Y2 – WILLIAMS

