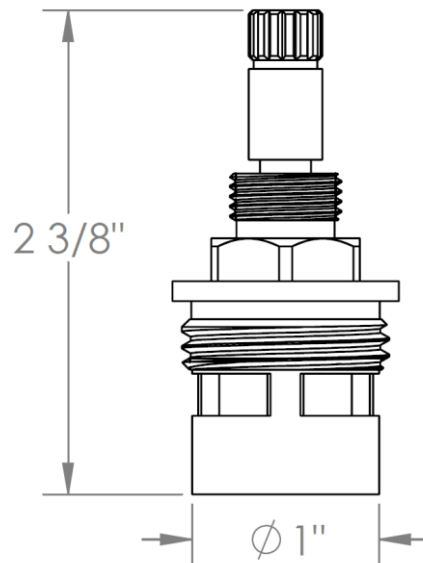
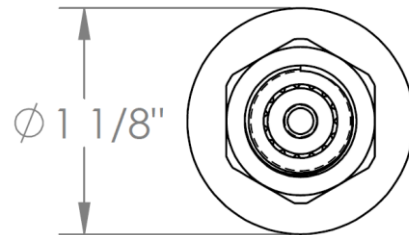


CRT508Q-C

3/4" Deck Mount Stem Cartridge – Cold
Standard For Gramercy and Beverly Exposed Tub Fillers
Quarter Turn Clockwise



Meets the applicable requirements of ASME A112.18.1-2005/CSA B125.1-05, entitled "Plumbing Supply Fittings"

WATERMARK DESIGNS 4/24/2019

350 Dewitt Ave Brooklyn NY 11207 USA T 718 257 2800 F 718 257 2144 info@watermark-designs.com